

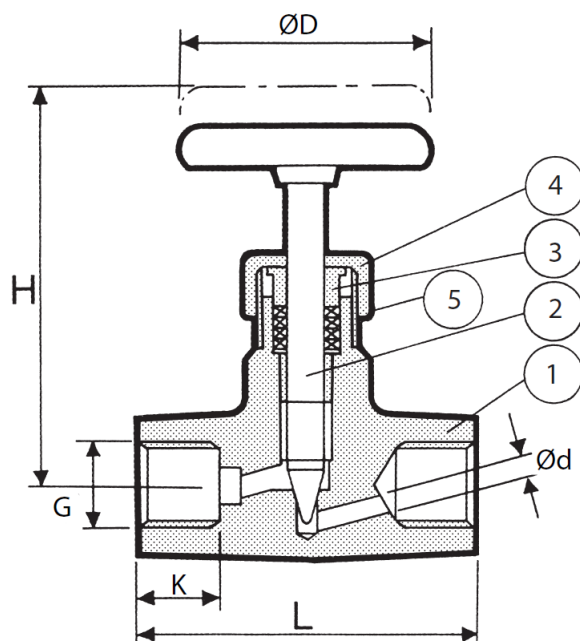
NEEDLE VALVE

Type 46202 DN6-25

With inner thread PN 400

Ordering example: MVRU1015

07RU-12



PARTS

No	Part	Material
1	Body	Acid-resistant steel AISI 316
2	Stem	Acid-resistant steel AISI 316
3	Stuffing box	Acid-resistant steel AISI 316
4	Sealing nut	Acid-resistant steel AISI 316
5	Stem sealing	Pressformed graphite

Areas of use

Needle valve is intended as adjustment valve for water, air and steam.

Options

- » Needle valves with external stem thread
- » In steel or bronze on request
- » For higher or lower pressures on request
- » With welded ends on request

DIMENSIONS AND WEIGHTS

DN	Order code	G	K	$\varnothing d$	L	$\varnothing D$	H max	K_v value	kg
6	MVRU1006	1/8	12	4	60	65	85	0,30	0,42
8	MVRU1008	1/4	14	5	60	65	85	0,42	0,40
10	MVRU1010	3/8	15	5	60	65	85	0,48	0,38
15	MVRU1015	1/2	16	5	60	65	85	0,54	0,34
20	MVRU1020	3/4	18	8	70	85	100	1,20	0,90
25	MVRU1025	1	20	10	78	100	110	1,45	1,05

PRESSURE/TEMPERATURE

Pressure/temperature	°C	20	125	200	300
AISI 316	bar	400	160	125	20

Test pressure 600 bar

All dimensions, weights and other technical data given are subject to revision.